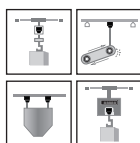
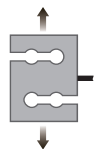


“S” Type



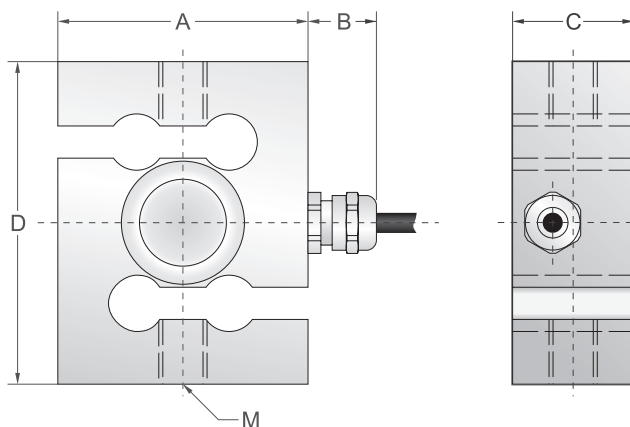
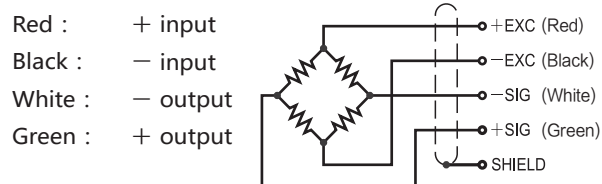
Capacities

200kg , 500kg , 1t , 2t , 3t , 5t

Features

- S-Type load cell
- Stainless steel construction
- Hermetically sealed
- Easy to install, stable & reliable
- Suitable for tension measurement, batching systems, blending & mixing systems, belt scales, etc.

Schematic



量程/Capacities		A	B	C	D	M
200kg	mm	62	17	30	80	M10X1.0
500kg	mm	62	17	30	80	M12X1.0
1t	mm	70	17	30	90	M12X1.0
2t	mm	70	17	45	90	M16X1.5
3t	mm	80	17	50	100	M18X1.5
5t	mm	92	17	58	130	M20X2.0

Specifications

Rated Output	2.0mV/V \pm 0.1%	Safe Temp. Range	-10°C to + 70°C
Zero Balance	\pm 1% of rated output	Temp. Compensated	-10°C to + 40°C
Creep after 30 minutes	\pm 0.03% of rated output	Safe Overload	150%
Nonlinearity	\pm 0.03% of rated output	Input Impedance	387 ohm \pm 20 ohm
Hysteresis	\pm 0.03% of rated output	Output Impedance	350 ohm \pm 5 ohm
Repeatability	\pm 0.03% of rated output	Insulation Resistance	\geq 5000 M ohm (50V DC)
Temp. effect on output	\leq 0.002% of applied output/°C	Rated Excitation	10V DC/AC
Temp. effect on zero	\leq 0.002% of rated output/°C	Maximum Excitation	15V DC/AC
Wire Length	5m	Wire Material	Red(+E) Black(-E) White(-S) Green(+S)