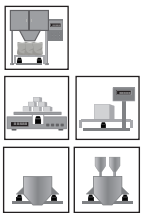
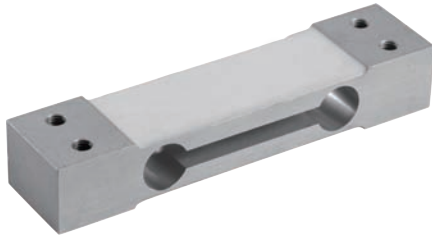
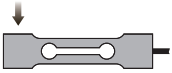


Single Point



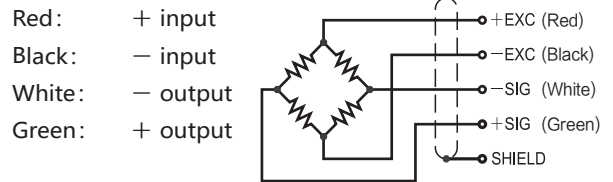
Capacities

3kg, 6kg, 10kg, 15kg, 30kg

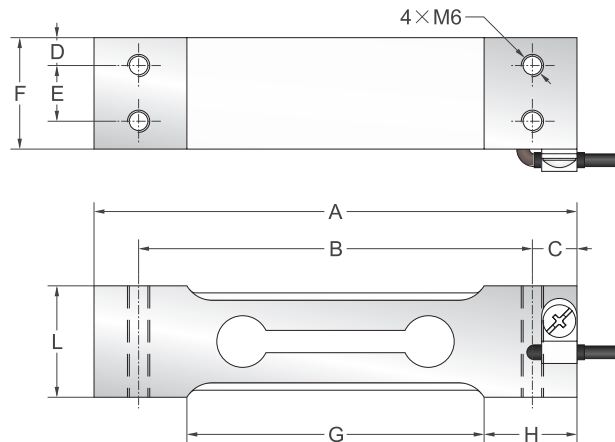
Features

- Single point load cell
- Aluminum construction
- High accuracy
- High stability
- Easy to install
- Suitable for retail and postal weighing, package weighing systems, parts counting and small hopper scales, bench scales, etc.

Schematic



Maximum platform : 250×300mm



Capacities		A	B	C	D	E	F	G	H	L
3kg~45kg	mm	130	106	12	7.5	15	30	80	25	22
60kg~200kg	mm	130	106	12	7.5	15	30	80	25	30

Specifications			
Rated Output	2.0mV/V±10%	Safe Temp. Range	-10°C to + 70°C
Zero Balance	±3% of rated output	Temp. Compensated	-10°C to + 40°C
Creep after 30 minutes	±0.03% of rated output	Safe Overload	150%
Nonlinearity	±0.03% of rated output	Input Impedance	410 ohm ± 20 ohm
Hysteresis	±0.03% of rated output	Output Impedance	350 ohm ± 5 ohm
Repeatability	±0.03% of rated output	Insulation Resistance	≥5000 M ohm (50V DC)
Temp. effect on output	≤0.002% of applied output/°C	Rated Excitation	10V DC/AC
Temp. effect on zero	≤0.002% of rated output/°C	Maximum Excitation	15V DC/AC
Wire Length	13cm/35cm/275cm	Wire Material	Red(+E) Black(-E) White(-S) Green(+S)