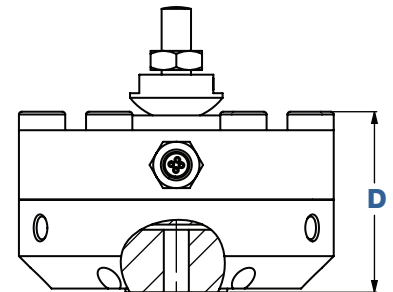
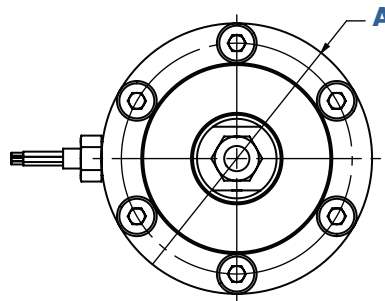
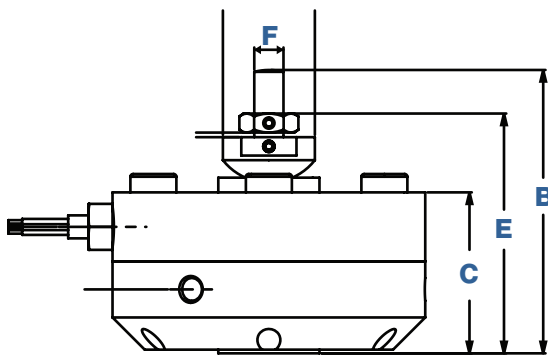


Features

- One of the highest performing calibration-grade load cells on the market
- Can be used as a reference for ASTM E4 calibrations
- Integrated calibration adapter provides threads for tension, radius dome for compression



Dimensional Attributes

MODEL		HAPL-CAL Series				
CAPACITIES (±)		55 lbf & 110 lbf	225 lbf & 330 lbf	550 lbf	1.1 klbf, 2.2 klbf, 5.5 klbf & 11 klbf	
Diameter (in)	A	2.2	2.7	3.1	4.1	
Heights (in)	Overall	B	2.0	2.5	3.6	4.5
	Load Cell Body	C	1.2	1.4	1.8	2.6
	Tension Base Screws	D	1.4	1.6	2.0	2.8
	Positive Stop	E	1.7	2.1	2.9	3.7
Loading Threads	F	1/4in-28	1/4in-28	5/8in-18	5/8in-18	
Weights (lbs)			1	3.7	8	
Cable / Connector		20 ft Integrated			Amphenol PT02E-10-6P (mating connector included)	

Accuracy

PART ID	CAPACITY (±lbf)	Typical ASTM E74 Lower Force Limits (lbf)		SAFE OVERLOAD (±%FS)	NATURAL FREQUENCY (Hz)
		Premium Calibration	Normal Calibration		
HAPL-CAL-55LBF	55			83	
HAPL-CAL-110LBF	110			165	
HAPL-CAL-225LBF	225			338	
HAPL-CAL-330LBF	330	10	20	495	5500
HAPL-CAL-550LBF	550	15	30	825	5200
HAPL-CAL-1.1KLBF	1,100	30	60	1,650	2700
HAPL-CAL-2.2KLBF	2,200	60	120	3,300	4000
HAPL-CAL-5.5KLBF	5,500	150	300	8,250	5000
HAPL-CAL-11KLBF	11,000	330	600	16,500	6500

Electrical Attributes

PART ID	RATED OUTPUT	ZERO BALANCE	INPUT IMPEDANCE (Ω)	OUTPUT IMPEDANCE (Ω)
HAPL-CAL-55LBF				
HAPL-CAL-110LBF				
HAPL-CAL-225LBF				
HAPL-CAL-330LBF	2 ± 0.2 mV/V	± 0.1 mV/V	1225 ± 30	1055 ± 5
HAPL-CAL-550LBF	1.4 ± 0.2 mV/V	± 0.06 mV/V	1225 ± 30	1055 ± 5
HAPL-CAL-1.1KLBF	2 ± 0.2 mV/V	± 0.06 mV/V	1550 ± 35	1405 ± 5
HAPL-CAL-2.2KLBF	2 ± 0.2 mV/V	± 0.06 mV/V	1550 ± 35	1405 ± 5
HAPL-CAL-5.5KLBF	2 ± 0.2 mV/V	± 0.06 mV/V	1550 ± 35	1405 ± 5
HAPL-CAL-11KLBF	2 ± 0.2 mV/V	± 0.06 mV/V	1550 ± 35	1405 ± 5

Temperature Attributes

PART ID	TEMP COMP ON SPAN (% applied / °C)	TEMP COMP ON ZERO (% RO / °C)	COMPENSATED TEMP RANGE (°C)	SAFE OPERATING TEMP RANGE (°C)	IP RATING
HAPL-CAL-55LBF					
HAPL-CAL-110LBF					
HAPL-CAL-225LBF					
HAPL-CAL-330LBF	0.002	0.002	-10 to 40	-10 to 70	66
HAPL-CAL-550LBF	0.002	0.002	-10 to 40	-10 to 70	66
HAPL-CAL-1.1KLBF	0.002	0.002	-10 to 40	-40 to 70	67
HAPL-CAL-2.2KLBF	0.002	0.002	-10 to 40	-40 to 70	67
HAPL-CAL-5.5KLBF	0.002	0.002	-10 to 40	-40 to 70	67
HAPL-CAL-11KLBF	0.002	0.002	-10 to 40	-40 to 70	67