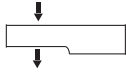


SBS

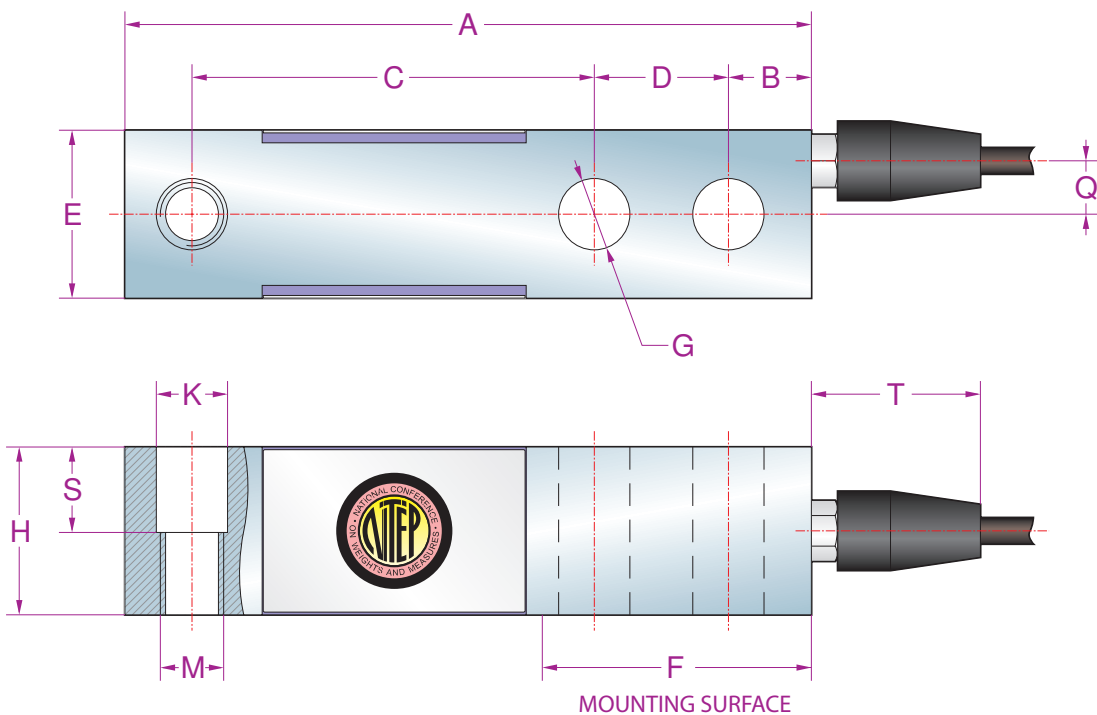


Features

- Single Ended Shear Beam Load Cell
- NTEP, OIML Approved
- Alloy Steel
- Easy to Install, Stable & Reliable
- Suitable for Floor Scales, Blending & Mixing Systems, Belt Scales and Batching Systems, etc.
- Rated up to IP67
- NTEP CoC: 95-146 (1 to 10k only)
- Equivalent to: Vishay Sensortronics 65023
Vishay Revere Transducers 5123, Rice Lake RL30000, Vishay TedeA-Huntleigh 3411, Artech 30310

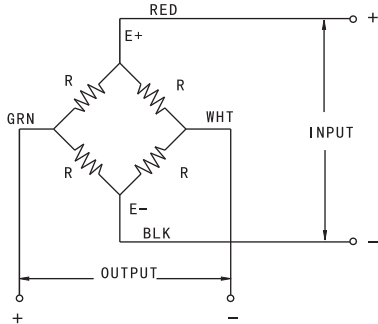
Dimensions

Capacity		A	B	C	D	E	F	G	H	M	K	S	T	Q
250 - 5,000 lb/S	in	5.12	0.62	3.00	1.00	1.25	2.24	0.53	1.25	1/2"-20 UNF	0.53	0.64	1.26	0.40
	mm	130.0	15.7	76.2	25.4	31.8	57.0	13.5	31.8		13.5	16.2	32.0	10.1
5,000 - 15,000 lb/S	in	6.75	0.75	3.75	1.50	1.47	2.99	0.78	1.47	3/4"-16 UNF	0.78	0.70	1.26	0.51
	mm	171.4	19.0	95.2	38.1	37.4	76.0	19.8	37.4		19.8	17.8	32.0	13.0
15,000 - 20,000	in	8.75	1.00	4.75	2.00	1.97	4.02	1.03	1.97	1"-14 UNF	1.03	0.98	0.67	0.67
	mm	222.2	25.4	120.6	50.8	50.0	102	26.2	50.0		26.2	25.0	17.0	17.0



Schematic

Red: + excitation
 Black: - excitation
 Green: + signal
 White: - signal



Capacities /Model

250 lb	SBS-250	4,000 lb	SBS-4K
500 lb	SBS-500	5,000 lb	SBS-5K/SE
750 lb	SBS-750	5,000 lb	SBS-5K/LE
1,000 lb	SBS-1k	10,000 lb	SBS-10K
2,000 lb	SBS-2k	15,000 lb	SBS-15K/SE
2,500 lb	SBS-2.5K	15,000 lb	SBS-15K/LE
3,000 lb	SBS-3K	20,000 lb	SBS-20K

Specifications

Rated Output	3.0mV/V \pm 0.1%
Zero Balance	\pm 1% of rated output
Creep after 30 minutes	\pm 0.03% of rated output
Nonlinearity	\pm 0.03% of rated output
Hysteresis	\pm 0.03% of rated output
Repeatability	\pm 0.03% of rated output
Temp. effect on output	\leq 0.002% of applied output/ $^{\circ}$ C
Temp. effect on zero	\leq 0.002% of rated output/ $^{\circ}$ C
Safe Temp. Range	-10 $^{\circ}$ C to + 70 $^{\circ}$ C
Temp. Compensated	-10 $^{\circ}$ C to + 50 $^{\circ}$ C
Safe Overload	150%
Input Impedance	387 ohm \pm 5 ohm
Output Impedance	350 ohm \pm 3 ohm
Insulation Resistance	\geq 5000 M ohm (50V DC)
Rated Excitation	10V DC/AC
Maximum Excitation	15V DC/AC
Cable Length	20 ft (6.0 m)
Cable Color Code	Red(+E) Black(-E) Green(+S) White(-S)