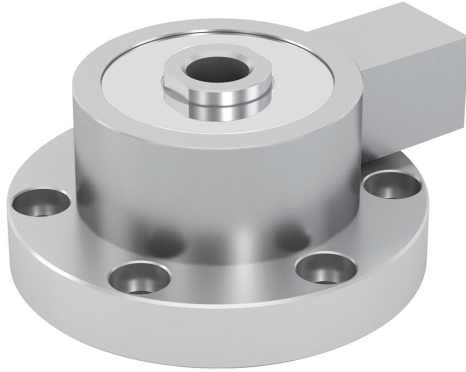


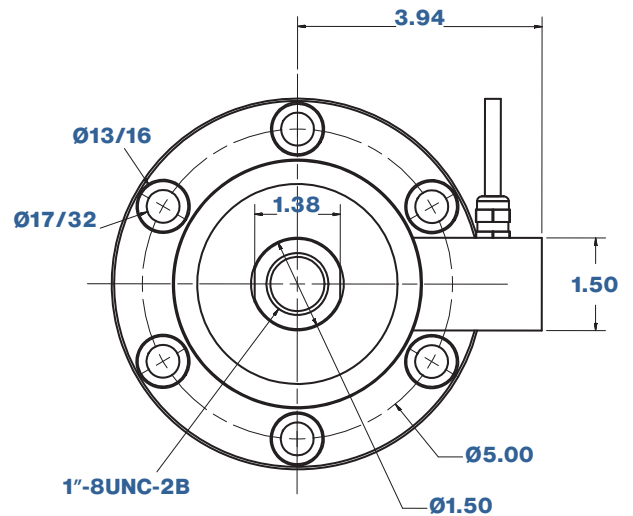
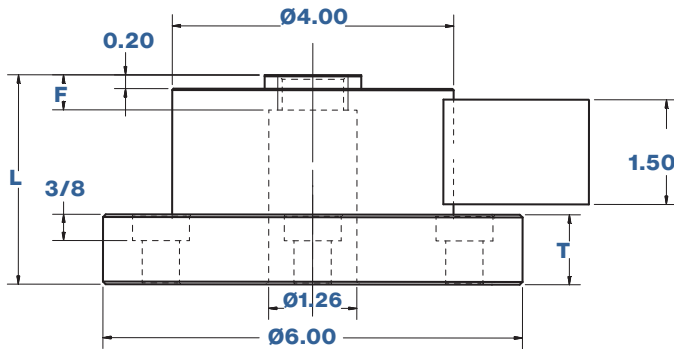
TC414 Series

Drop-in Replacement for Omega LC414 Series Load Cells



Features

- Stainless steel construction
- IP66 rating for industrial applications
- Flange mount accommodates rugged loading



Models & Dimensional Attributes

PART ID	CAPACITY (lbf)	Omega Crossover	Overall Height (inches)	Flange Thickness (inches)	Thread Depth (inches)
TC414-300LBF	300	LC414-300	3	1	0.5
TC414-600LBF	600	LC414-600	3	1	0.5
TC414-1.2KLBF	1,200	LC414-1.2K	3	1	0.75
TC414-2.4KLBF	2,400	LC414-2.4K	3	1	0.75
TC414-6KLBF	6,000	LC414-6K	4	2	0.75
TC414-12KLBF	12,000	LC414-12K	4	2	0.75
TC414-24KLBF	24,000	LC414-24K	4	2	1
TC414-30KLBF	30,000	LC414-30K	4	2	1

TC414 Series

Drop-in Replacement for Omega LC414 Series Load Cells

General Specifications

Rated Output (RO)	3 mV/V			
Nonlinearity	±0.05% of RO			
Hysteresis	±0.05% of RO			
Repeatability	±0.02% of RO			
Safe Overload	150% of Capacity			
ELECTRICAL ATTRIBUTES		TEMPERATURE ATTRIBUTES		
Input Impedance- ohm	387±20	Compensated Range	°F	15 to 115
Output Impedance- ohm	350±5	Operating Range	°F	0 to 160
Insulation Resistance- Megaohm	≥5000 MΩ (at 50 VDC)	Effect on Zero	±0.0013% of RO/ °F	
Rated Excitation Voltage- V DC/ AC	10	Effect on Span	±0.0008% of RO/ °F	
Maximum Excitation Voltage- V DC/ AC	15			
Integrated Cable	4-conductor, 28 AWG with shield			
Cable Length	ft	20		